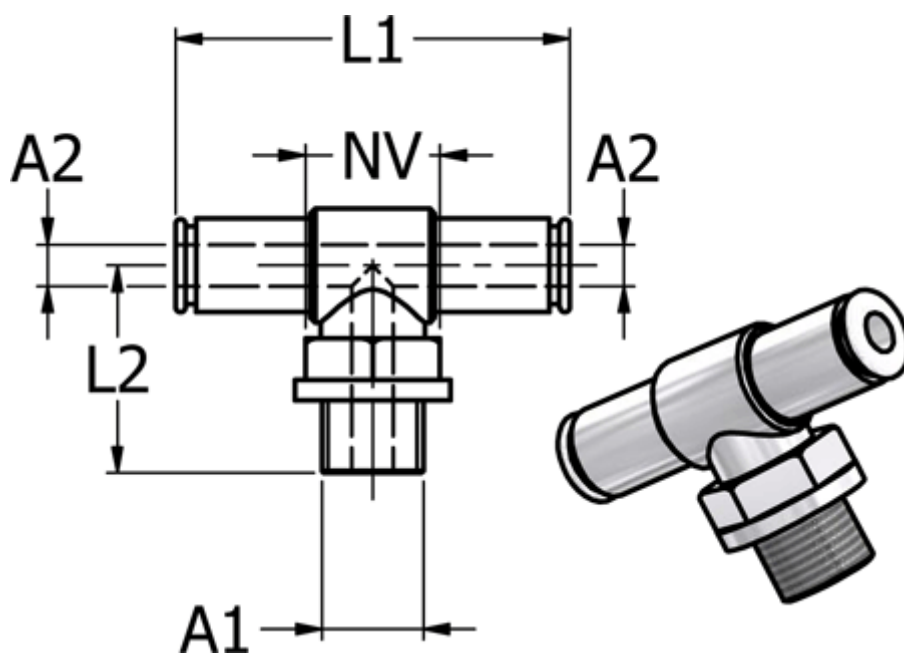


Article number: 58685501410

Description: Metal Push-in fitting 855.014-10, Ø10 / G 1/4" / Ø10
Tee with FPM O-ring

Measures



Ext. hose diameter A2	= 10
L1	= 53
L2	= 24
NV	= 16
Thread A1	= G 1/4"